

## Cassette fan coils

### IWC 3 - 9 kW



Centrifugal fan



ERGO Supervision



2-pipe system



4-pipe system



False ceiling mounting

The IWC range combines solidity and efficiency in a single product

IWC by Galletti stands out for the quality of the components and the care taken in assembly and in the details.

The fluid-dynamic optimization at the design stage can be seen in the centrifugal fan with backward-curved blades, statically and dynamically balanced for a correct air flow.

The cassette allows the fan speed to be varied among 4 different steps, thus ensuring excellent modulation in the delivery of power and incredibly low noise levels at the operating speeds. It is moreover equipped with a level sensor and condensate drainage pump already integrated in the unit.

These features make IWC a perfect indoor unit in terms of comfort, reliability and durability like only a product made in Italy can be.

The range is completed by a model with an integrated air sanitisation and ionisation system which is capable of assuring the cleanliness and hygiene of both the unit and the air inside the room. Its aesthetic and constructive features make IWC perfect for installation in any interior with a standard modular false ceiling.

## PLUS

- ✓ 4-speed fan drive assembly
- ✓ Robust structure and attractive design
- ✓ Possibility of using a sanitisation system
- ✓ Fresh air drawn directly into the intake compartment
- ✓ Possibility of connecting 4-pipe systems in the absence of glycol to a single-heat exchanger unit by means of a 4 x 2 valves kits



## AVAILABLE VERSIONS

**IWCT** Unit with one heat exchanger and IR remote control  
**IWCF** Unit with one heat exchanger and wired controller

**IWC F BIO** Sanitised unit with one heat exchanger and wired controller  
**IWC DF** Unit with two heat exchangers and wired controller



## MAIN COMPONENTS

### Structure

Made from galvanised steel sheet, externally and internally insulated with heat and soundproofing material. The structure houses the main components and is configured for the introduction of air from an external source.

### Heat exchanger

High efficiency heat exchanger made with copper piping and aluminium fins blocked to pipings by mechanical expansion, provided with air vent valves.

### Front grille

Complete with filter and adjustable air outlet louvers. Different models of panel based on the type of adjustment selected. Possibility of moving the motorized flap with IR remote control. LED indications of operating status and errors.



### Air intake and outlet panel

Colour Ral 9001, with preformed air passages made of high density expanded polystyrene and plastic intake port ensuring effective resistance to mechanical wear.



### Fan

Centrifugal fan with backward-curving blades with blade profile designed so as to obtain a stable air flow and extremely quiet, efficient operation even at slow fan speeds.

### Electric motor

Asynchronous, mounted on 3 vibration-damping supports and directly coupled to the fan. The motor enables operation at 4 different speeds in order to ensure a more precise adjustment.

## CONTROL MODE



### IR remote control

The IR control offers the possibility of managing the operation of the indoor unit remotely with utmost convenience



### Standard wired controller

The cassette is configured to be connected to the wall-mounted controllers included in the Galletti range



### Control with wired controller and sanitisation system

Thermostat control and air sanitisation in a single product

## ACCESSORIES

### Control panels

|                 |  |
|-----------------|--|
| <b>TD4T</b>     | Wall-mounted speed selector, thermostat and summer/winter selecting switch for 2 or 4-pipe systems with valves |
| <b>KP</b>       | Power interface for connecting in parallel up to 4 fan coils to one controller                                 |
| <b>MCBE</b>     | MYCOMFORT BASE electronic controller with display  |
| <b>MCME</b>     | MYCOMFORT MEDIUM electronic controller with display  |
| <b>MCLE</b>     | MYCOMFORT LARGE electronic controller with display   |
| <b>DIST</b>     | MYCOMFORT controller spacer for wall mounting  |
| <b>EVODISP</b>  | EVO CLOCK Remote display   |
| <b>EVOBOARD</b> | EVO 230V circuit board   |
| <b>LED503</b>   | LED503 Recess wall-mounted electronic controller with display  |

|  |  |
|--|--|
| <b>CO (B-G-W)</b>                                | Plate for LED503, white W (RAL 7031), grey G (RAL 9003), black B (RAL 9005)  |
| <b>MCSWE</b>                                     | Water sensor for EVO, MYCOMFORT BASE, MEDIUM, LARGE, and LED503 microprocessor controllers   |
| <b>MCSUE</b>                                     | Humidity sensor for EVO, MYCOMFORT MEDIUM and LARGE microprocessor controller  |
| <b>Motor driven on/off and modulating valves</b> |  |
| <b>VK</b>  | 2-/3-way motor driven ON/OFF valve (230V and 24V actuator) complete with plumbing kit for models with 1 and 2 heat exchangers                              |
| <b>VKM</b>                                       | 2-/3-way motor driven modulating valve (24V actuator) complete with plumbing kit for models with 1 and 2 heat exchangers                                   |
| <b>4X2</b>                                       | Kit for 4-pipe systems composed of a 4x2 motor driven ON/OFF or modulating valve (230V and 24V actuator) and plumbing kit for models with 1 heat exchanger |

## Rated technical data, models with 1 heat exchanger

| IWC                               |                   | 32   |      |      |      | 42   |      |      |      | 52   |      |      |      |
|-----------------------------------|-------------------|------|------|------|------|------|------|------|------|------|------|------|------|
| Speed                             |                   | 1    | 2    | 3    | 4    | 1    | 2    | 3    | 4    | 1    | 2    | 3    | 4    |
| Total cooling capacity (1) (E)    | kW                | 1,24 | 2,15 | 2,35 | 2,60 | 1,70 | 3,50 | 4,00 | 4,60 | 2,47 | 3,80 | 4,42 | 5,06 |
| Sensible cooling capacity (1) (E) | kW                | 0,91 | 1,78 | 2,00 | 2,23 | 1,16 | 2,63 | 3,05 | 3,56 | 1,84 | 2,97 | 3,51 | 4,04 |
| Water flow(1)                     | l/h               | 212  | 368  | 404  | 445  | 292  | 600  | 686  | 788  | 423  | 653  | 758  | 869  |
| Water pressure drop (1) (E)       | kPa               | 3    | 8    | 9    | 11   | 3    | 11   | 14   | 17   | 7    | 14   | 18   | 23   |
| Heating capacity (2) (E)          | kW                | 1,54 | 2,83 | 3,11 | 3,49 | 1,87 | 4,35 | 4,85 | 5,70 | 3,35 | 5,33 | 6,14 | 6,75 |
| Water pressure drop (2) (E)       | kPa               | 3    | 7    | 8    | 10   | 3    | 10   | 13   | 17   | 6    | 14   | 18   | 23   |
| Heating capacity (3)              | kW                | 2,64 | 4,87 | 5,35 | 6,00 | 3,14 | 7,38 | 8,20 | 9,65 | 5,74 | 9,15 | 10,5 | 11,5 |
| Water flow (3)                    | l/h               | 232  | 427  | 469  | 527  | 275  | 648  | 719  | 847  | 504  | 803  | 924  | 1011 |
| Water pressure drop (3)           | kPa               | 3    | 9    | 10   | 12   | 2    | 11   | 13   | 18   | 8    | 19   | 24   | 28   |
| Air flow                          | m <sup>3</sup> /h | 180  | 400  | 460  | 520  | 200  | 530  | 630  | 750  | 370  | 630  | 760  | 880  |
| Power input (E)                   | W                 | 17   | 40   | 50   | 60   | 20   | 60   | 70   | 90   | 26   | 71   | 85   | 98   |
| Sound power level (4) (E)         | dB(A)             | 30   | 41   | 44   | 46   | 32   | 48   | 51   | 55   | 41   | 53   | 57   | 61   |

| IWC                               |                   | 62   |      |      |      | 82   |      |      |      |
|-----------------------------------|-------------------|------|------|------|------|------|------|------|------|
| Speed                             |                   | 1    | 2    | 3    | 4    | 1    | 2    | 3    | 4    |
| Total cooling capacity (1) (E)    | kW                | 4,20 | 5,00 | 5,42 | 6,00 | 5,50 | 6,50 | 8,00 | 9,10 |
| Sensible cooling capacity (1) (E) | kW                | 3,14 | 3,70 | 3,99 | 4,40 | 4,11 | 5,08 | 6,10 | 6,84 |
| Water flow(1)                     | l/h               | 721  | 859  | 930  | 1031 | 944  | 1116 | 1372 | 1561 |
| Water pressure drop (1) (E)       | kPa               | 16   | 22   | 25   | 30   | 21   | 28   | 41   | 51   |
| Heating capacity (2) (E)          | kW                | 5,40 | 6,40 | 7,10 | 7,70 | 6,28 | 8,52 | 9,42 | 10,2 |
| Water pressure drop (2) (E)       | kPa               | 16   | 21   | 25   | 30   | 20   | 27   | 39   | 48   |
| Heating capacity (3)              | kW                | 9,20 | 10,9 | 12,1 | 13,1 | 10,5 | 14,4 | 15,8 | 17,0 |
| Water flow (3)                    | l/h               | 808  | 956  | 1063 | 1150 | 920  | 1267 | 1385 | 1491 |
| Water pressure drop (3)           | kPa               | 18   | 24   | 29   | 33   | 18   | 31   | 37   | 42   |
| Air flow                          | m <sup>3</sup> /h | 850  | 1060 | 1160 | 1300 | 830  | 1090 | 1270 | 1400 |
| Power input (E)                   | W                 | 80   | 90   | 100  | 120  | 80   | 100  | 120  | 140  |
| Sound power level (4) (E)         | dB(A)             | 43   | 48   | 49   | 51   | 37   | 46   | 50   | 53   |

## Rated technical data, models with 2 heat exchangers

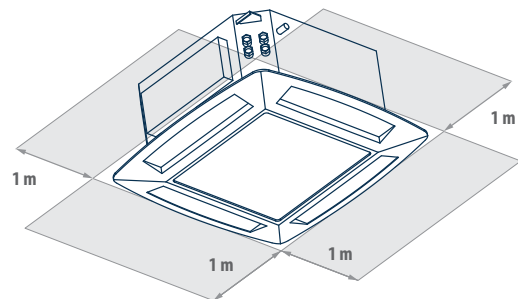
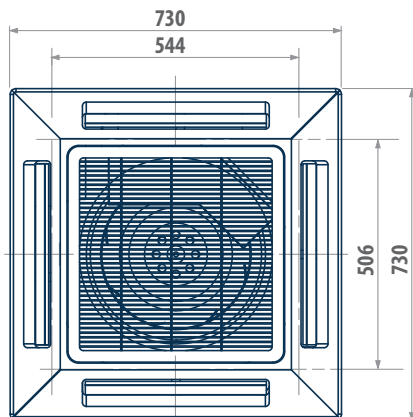
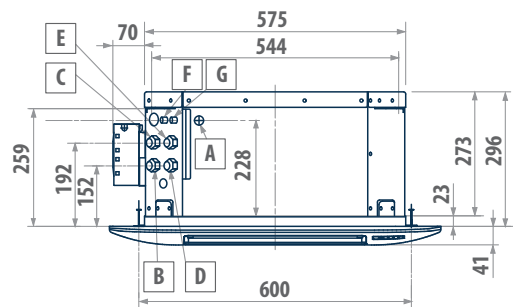
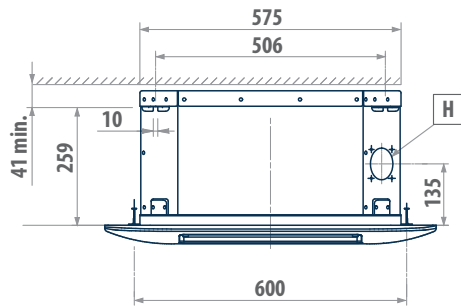
| IWC                               |                   | 34   |      |      |      | 44   |      |      |      |
|-----------------------------------|-------------------|------|------|------|------|------|------|------|------|
| Speed                             |                   | 1    | 2    | 3    | 4    | 1    | 2    | 3    | 4    |
| Total cooling capacity (1) (E)    | kW                | 1,10 | 1,72 | 1,88 | 2,05 | 1,58 | 2,88 | 3,28 | 3,76 |
| Sensible cooling capacity (1) (E) | kW                | 0,83 | 1,51 | 1,66 | 1,82 | 1,10 | 2,27 | 2,60 | 3,00 |
| Water flow(1)                     | l/h               | 189  | 295  | 323  | 351  | 272  | 494  | 562  | 645  |
| Water pressure drop (1) (E)       | kPa               | 4    | 8    | 9    | 11   | 4    | 11   | 13   | 17   |
| Heating capacity (3) (E)          | kW                | 1,10 | 1,78 | 1,95 | 2,20 | 1,48 | 2,87 | 3,14 | 3,76 |
| Water flow (3)                    | l/h               | 97   | 156  | 171  | 193  | 130  | 252  | 276  | 330  |
| Water pressure drop (3) (E)       | kPa               | 11   | 25   | 29   | 36   | 7    | 22   | 26   | 36   |
| Air flow                          | m <sup>3</sup> /h | 180  | 400  | 460  | 520  | 200  | 530  | 630  | 750  |
| Power input (E)                   | W                 | 17   | 40   | 50   | 60   | 20   | 60   | 70   | 90   |
| Sound power level (4) (E)         | dB(A)             | 30   | 41   | 44   | 46   | 32   | 48   | 51   | 55   |

- (1) Water temperature 7 / 12°C, air temperature D.B. 27°C, W.B. 19°C (47% relative humidity)  
 (2) Inlet water temperature 50°C, water flow rate same as in cooling mode, air temperature 20°C  
 (3) Water temperature 70 / 60°C, air temperature 20°C  
 (4) Sound power measured according to standards ISO 3741 and ISO 3742  
 (E) EUROVENT certified data  
 Power supply 230-1-50 (V-ph-Hz)



**Dimensional drawings**

IWC 032 - 042 - 052 - 034 - 044



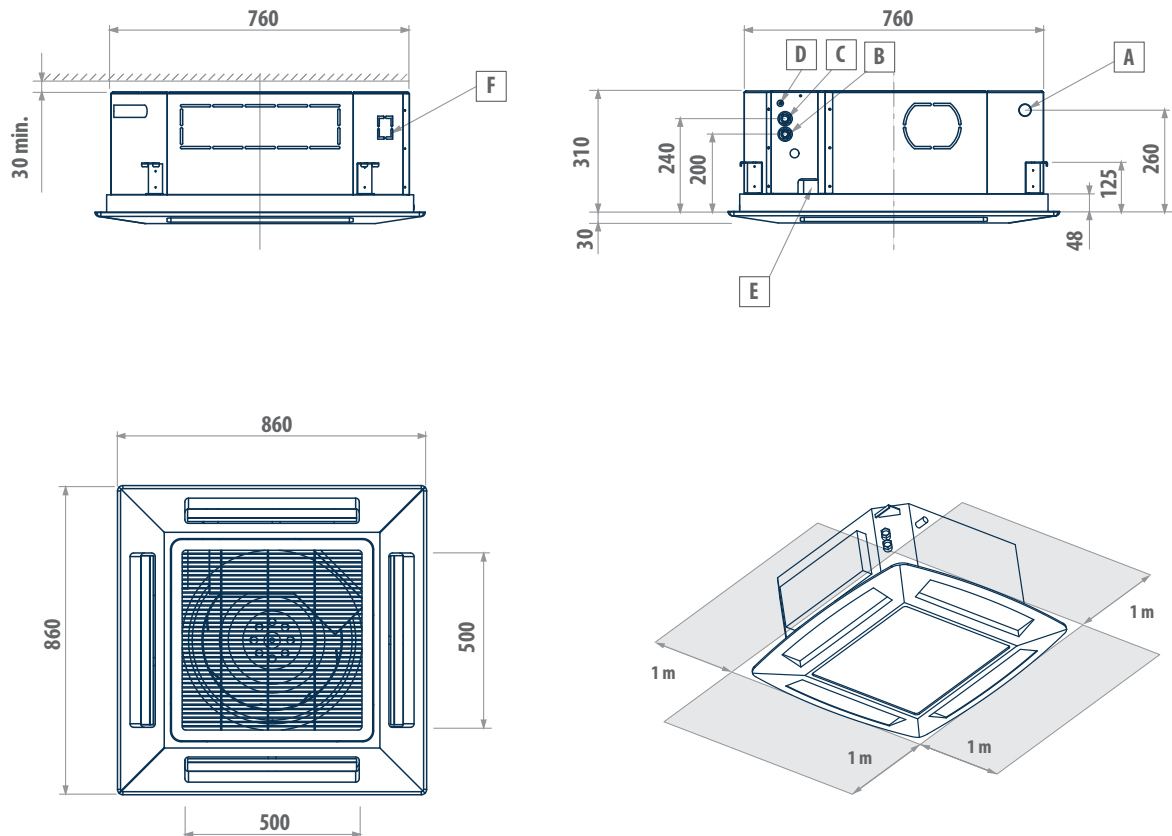
**LEGEND**

|          |  |
|----------|--|
| <b>A</b> | Condensate hole: Ø 18 mm                               |
| <b>B</b> | Main heat exchanger water inlet: ½" gas female         |
| <b>C</b> | Main heat exchanger water outlet: ½" gas female        |
| <b>D</b> | Additional heat exchanger water inlet: ½" gas female*  |
| <b>E</b> | Additional heat exchanger water outlet: ½" gas female* |
| <b>F</b> | Main heat exchanger air vent                           |
| <b>G</b> | Additional heat exchanger air vent                     |
| <b>H</b> | External air intake: Ø 70 mm                           |

\* Present in models 34 / 44

## Dimensional drawings

IWC 062



### LEGEND

|          |                                      |
|----------|--------------------------------------|
| <b>A</b> | Condensate hole: $\varnothing$ 32 mm |
| <b>B</b> | Water inlet: 3/4" gas female         |
| <b>C</b> | Water outlet: 3/4" gas female        |
| <b>D</b> | Heat exchanger air vent              |
| <b>E</b> | Electrical cable passage             |
| <b>F</b> | Fresh air intake: 60x55 mm           |



**Dimensional drawings**

**IWC 082**

**LEGEND**

|          |                               |
|----------|-------------------------------|
| <b>A</b> | Condensate hole: Ø 32 mm      |
| <b>B</b> | Water inlet: 3/4" gas female  |
| <b>C</b> | Water outlet: 3/4" gas female |
| <b>D</b> | Heat exchanger air vent       |
| <b>E</b> | Electrical cable passage      |
| <b>F</b> | Fresh air intake: 60x55 mm    |